

F868 Trunking Lighting System



Splice elements

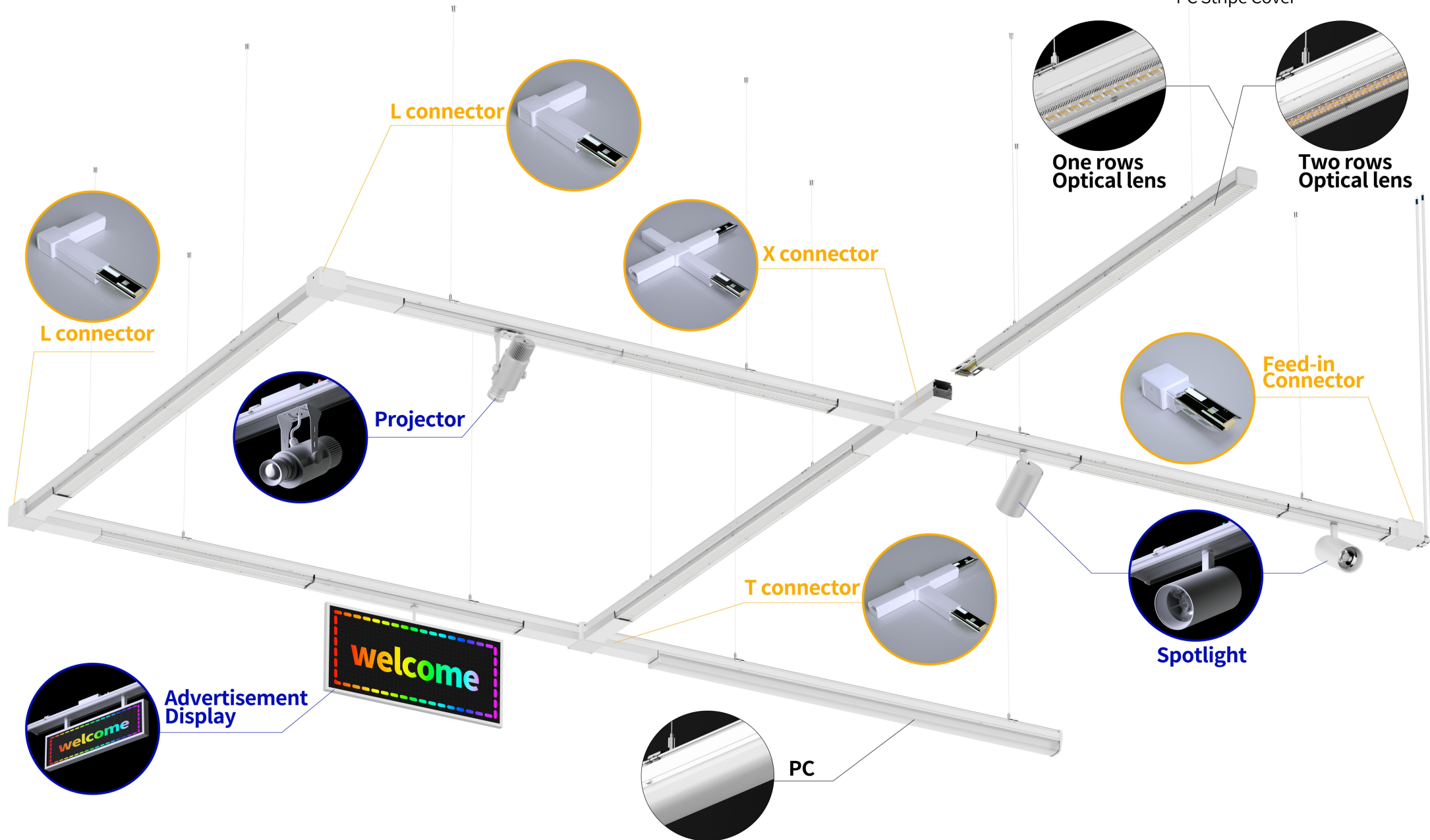
L, T, X, Feed-in Connector

Matching modules

Projector, Spotlight, Emergency Exit
Advertisement Display

Optical Accessories

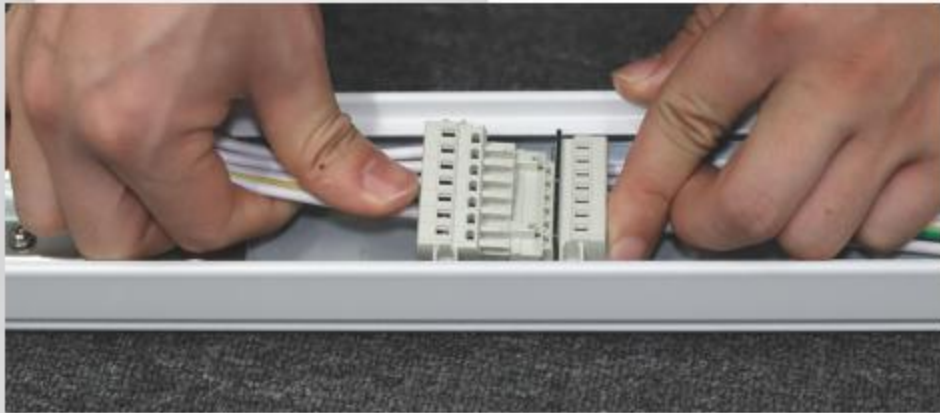
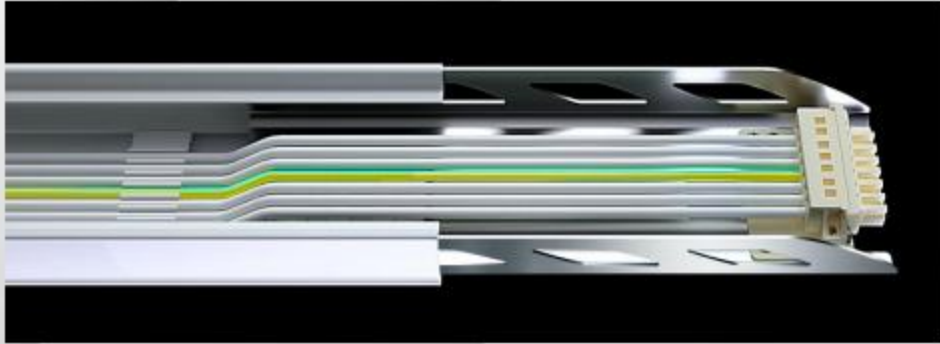
One Row 60° 90°、RL20° 25°
Two Row 60° 90°、RL20° 25°
PC Stripe Cover



Tool-free Installation

No pre-build wires

No screws end caps



Infinity Lighting

1



Pre-Wired Trunking

2



Junctions/Connectors

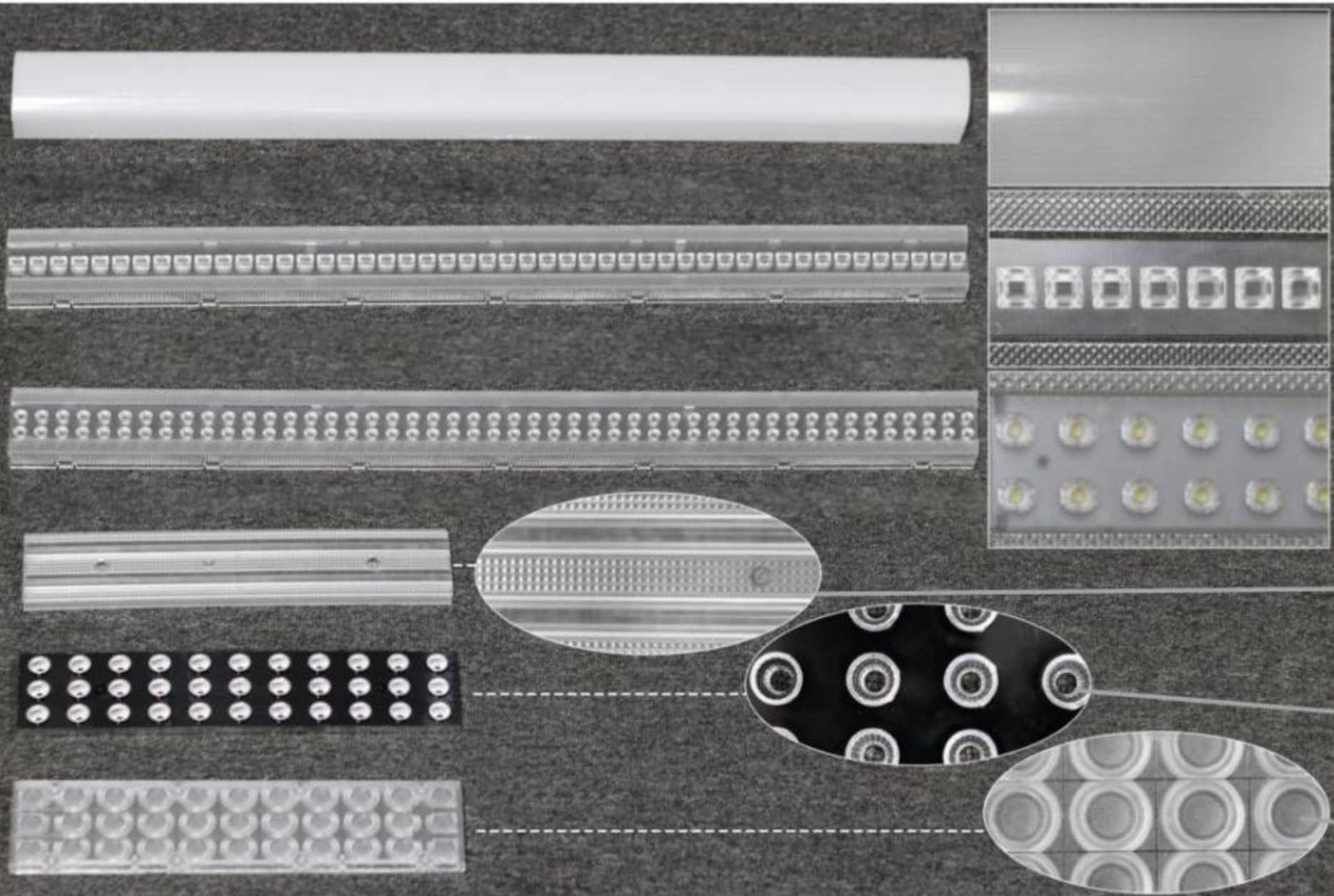
3



end caps

4

Multi-optics with different angles



PC 750/1500mm
120°

746*66mm 1 Line Lens
60° ; 90°
Single Asymmetric 20°
Double Asymmetric 25°

746*66mm 2 Lines Lens
60° ; 90°
Single Asymmetric 20°
Double Asymmetric 25°

285*61mm
Single Asymmetric 18°
Double Asymmetric 40°
30*90°; 60*110°;
90*110° 120*120°

286mm
70°

285*61mm
60° ; 90°

Match with different Modules

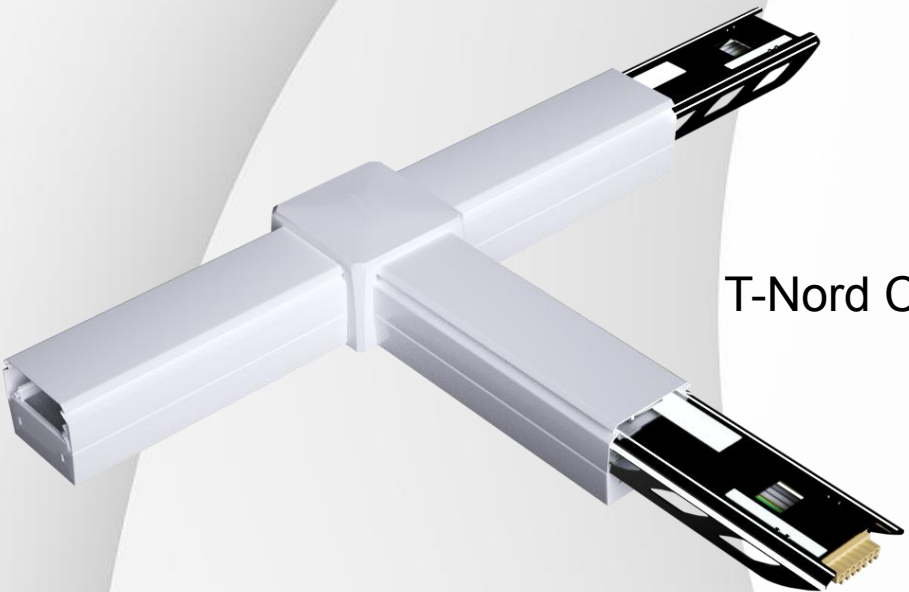


Splicing Connector

Feed-in Box



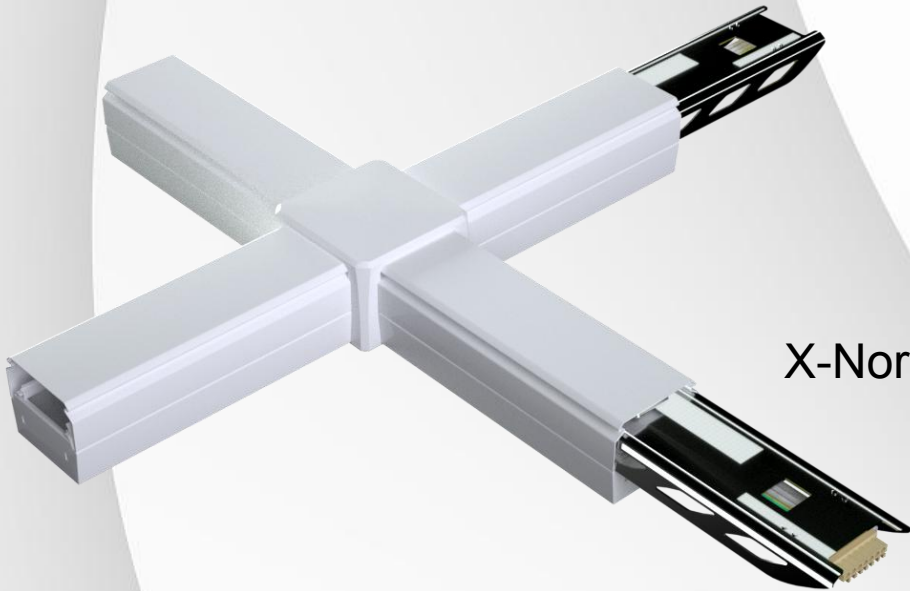
T-Nord Connector



L-Nord Connector



X-Nord Connector



Specification 产品信息

尺寸/Size	1500*67*57MM	Notes
功率 power	60W	Smart Solution Dali, 0-10V Radar Sensor Zigbee, blueteeth wifi, dimmable
电压 voltage	AC220 -240V	
PF值 PF value	0.9	
色温 CCT	3000/4000/5700/6500K	
显指 CRI	80/90	
光效 efficiency	PC:130Lm/w LENS:160lm/w; 180lm/w;200lm/w	
防护等级 IP	IP20	
颜色 color	matt black/white	
光学部件 Optical accesseries	PC/ One line LENS/ Two lines LENS/ Three Lines LENS	
模组适配 Modules Match	Spotlight, projector, display screem, Emergency Sign, Sensors, Pendant Light, Blank cover	
外箱尺寸 ctn size	Trunking rail: 1205*413*210mm Trunking Luminaires: 1205*413*210mm	
装箱数量 qty/ctn	10PCS/ctn	
单支净重 NW	Trunking rail: 1.55kg Trunking Luminaires: 1.35kg	
整箱毛重 GW	Trunking rail: 1.75kg Trunking Luminaires: 1.55kg	

Applications

Supermarket , warehouse , etc . . .

